

SATA® RPS™



German Engineering

Spray Guns | Cup Systems | Breathing Protection | Air Filtration | **Accessories**



The cup system for mixing,
painting and storing

SATA RPS – The Original.

The safe, refillable cup system for professionals: easy, perfect and without compromise

SATA RPS (Rapid Preparation System) is the ideal cup system for shops focusing on perfect finishes and high profitability. It makes a painter's life much easier, considerably increases productivity and drastically reduces the consumption of cleaning solutions and solvents.



SATA® RPS 0.9 I

40 cups, lids and
flat sieves 125 μ : Part No. 1011973
plug-in sieves 200 μ : Part No. 1011981
flat sieves 200 μ : Part No. 1012004



SATA® RPS 0.6 I

60 cups, lids and
flat sieves 125 μ : Part No. 1010438
plug-in sieves 200 μ : Part No. 1010488
flat sieves 200 μ : Part No. 1010545



SATA® RPS 0.6 I UV

60 cups, lids and
flat sieves 125 μ : Order No. 1010496
plug-in sieves 200 μ : Order No. 1010503



CHARACTERISTICS

- Easy to use – only 3 parts
- Fits directly on all SATA spray guns - no adapters required
- Constant, even material flow, helping the painter to achieve perfect finishing results
- Allows very quick color changes - cleaning becomes almost irrelevant
- Reduces cleaning efforts and solvent consumption
- The special lid shape ensures complete consumption of the paint contained in the cup
- Large number of mixing ratios (up to 100 variations)
- Stable cup ensures safe storage of leftover material
- Available in the 3 cup sizes 0.3 I, 0.6 I and 0.9 I
- Different strainer types available



The paint is mixed in the cup later used for painting.

SATA® RPS 0.3 | standard

40 cups, lids and
flat sieves 125 μ : Part No. 1010389
plug-in sieves 200 μ : Part No. 1010397

100 cups, lids and
flat sieves 125 μ : Part No. 1010420
plug-in sieves 200 μ : Part No. 1010404



SATA® RPS 0.3 | minijet

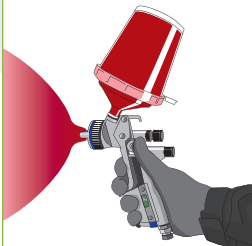
(minijet 3000B and earlier)
60 cups, lids and
flat sieves 125 μ : Part No. 1010553
plug-in sieves 200 μ : Part No. 1010561



Mixing



Painting



Storing



Disposing



RPS® Dispenser System



**Everything in
its place!**



SATA® RPS wall dispenser

Standard kit for up to 2 cup sizes:
2 aluminum brackets for wall
mounting, 2 tubes for cups, 2 tube
for lids, and 2 tubes for sieves
Order No. 195784



SATA® RPS rotawall adapter kit

Compact wall-mounting version: Wall
bracket with rotating spindle to mount the
basic version* and the extension kit*
Order No. 196543



SATA® RPS extension kit

Extension kit for one additional cup size:
each 1 tube for cups, 1 tube for lids, and
one tube for the sieves (the brackets of the
standard kit are suitable for mounting the
extension kit)
Order No. 195776

SATA® RPS rotafloor adapter kit

Workbench/floor version: Height-adjustable
stand with floor plate and rotating spindle
to mount the basic version* and the
extension kit*
Order No. 196550



*not included in kit

Accessories

Spare lids

Order # 1013226 (80 pcs) 0.6 l and 0.9 l
 Order # 1013234 (108 pcs) 0.3 l minijet
 Order # 1013218 (60 pcs) 0.3 l standard



Cup-carrier basket

for safe transportation of up to 6 RPS cups into the booth.
 Order # 127845



SATA® RPS Mix Stick

Disposable hand agitator for effective mixing of paint components.
 Order # 170845 (50 x)

Spare flat sieves 200 µ

Order # 144964 (100 pcs) 0.6 l, 0.9 l



Spare flat sieves 125 µ

Order # 131979 (100 pcs) 0.6 l, 0.9 l
 Order # 160606 (60 pcs) 0.3 l

Spare plug-in sieves 200 µ

Order # 131987 (100 pcs) 0.3, 0.6 l, 0.9 l



SATA® clean RCS®

Order # 146944

SATA® clean RCS® compact

Order # 192518

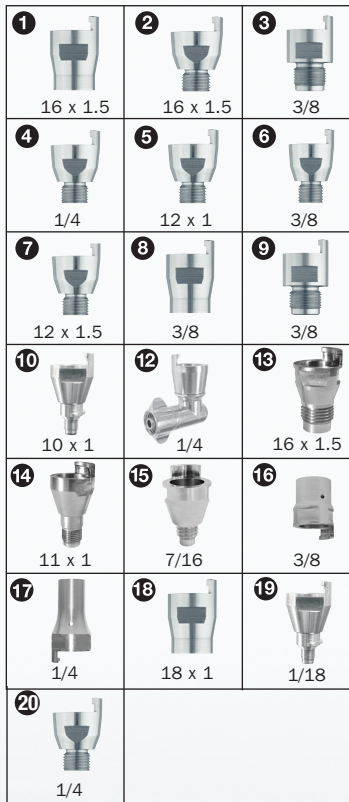
SATA® clean RCS® micro

Order # 202564

RPS adapter with QCC function*

Upgrades non-QCC SATA paint spray guns** and spray guns of other manufacturers

Manufacturer	Spray Gun	Adapter	Part No.
SATA	SATAjet 2000 HVLP, RP w/o QCC	2	125237
	SATAjet LM 2000 HVLP/RP, SATAjet 90	2	125237
	SATAjet KLC HVLP/RP, KLC P	2	125237
	SATAjet B, NR 92, NR 95 HVLP	1	125211
	SATAjet LM B 92	7	133595
	SATAmijet, minijet 2, 3, 4	10	135798
	SATAjet 1000 H	16	188292
SATAmijet 1000 H	17	188318	
Binks	MG-1	3	125252
Airgunsa	AZ40 THE	4	125278
Asturo	OM Green	5	125294
3M/Graco	3M PPS	6	126326
DeVilbiss	PRI, GTI, GTI Pro, GFG, GFV, GFHV 510, Tekna, CVI	3	125252
	SRI	15	164608
Starting Line/	HVLP Spray Gun	13	150136
Finish Line	Mini Spray Gun	14	150151
Emininet	E13	4	125278
IWATA	W 400, WR 400, LPA 94	1	125211
	VXL Primer Gun, LPH 400, LPH 440	1	125211
	LPH 80	19	193276
	LS-400 (Super Nova), W 300, LPH 300	4	125278
	LPH100-LVG	12	147272
Kremlin	M 21 G	20	215079
Optima	800, 900	8	133827
Sagola	475 Mini-Gun	10	135798
	403 G, 433 G, 434 G, 444 G, 450 G	7	133595
	4100 G, 4200 G, 4300	7	133595
	4400	1	125211
	4400/4500 Xtreme	18	188664
Sharpe	GT1, Platinum, Titanium, Cobalt, SGF 98	9	135111
	Razor primer	9	135111
	Finex FX 300	8	133827
	FX 1000, 2000, 3000	2	125237
Walcom	FXGEO, FX HVLP	5	125294

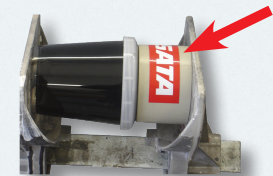


for updated adapter selections please visit
www.satausa.com
 > encyclopedia > spray gun adapters



Cleaning bottles (1 L)

for intermediate cleaning of waterborne and solvent-based cleaning agents.
 Squeeze bottle Order # 127852
 Pump spray bottle Order # 127860



RPS Shaker Ring adapter

Safely holds the RPS cup for use in a paint shaker
 0.6l & 0.9l Order # 117051
 0.3l Order # 173435

RPS Depot

Storage rack to hold up to three RPS cup boxes.

Order # 144840 (without RPS boxes)



Your SATA dealer



DanAm®

The exclusive independent distributor of
 SATA product in the US and Puerto Rico

One SATA Drive
 Spring Valley, MN 55975
 Phone: 800-533-8016
 Fax: 800-633-7282
 e-mail: satajet@satausa.com
www.satausa.com